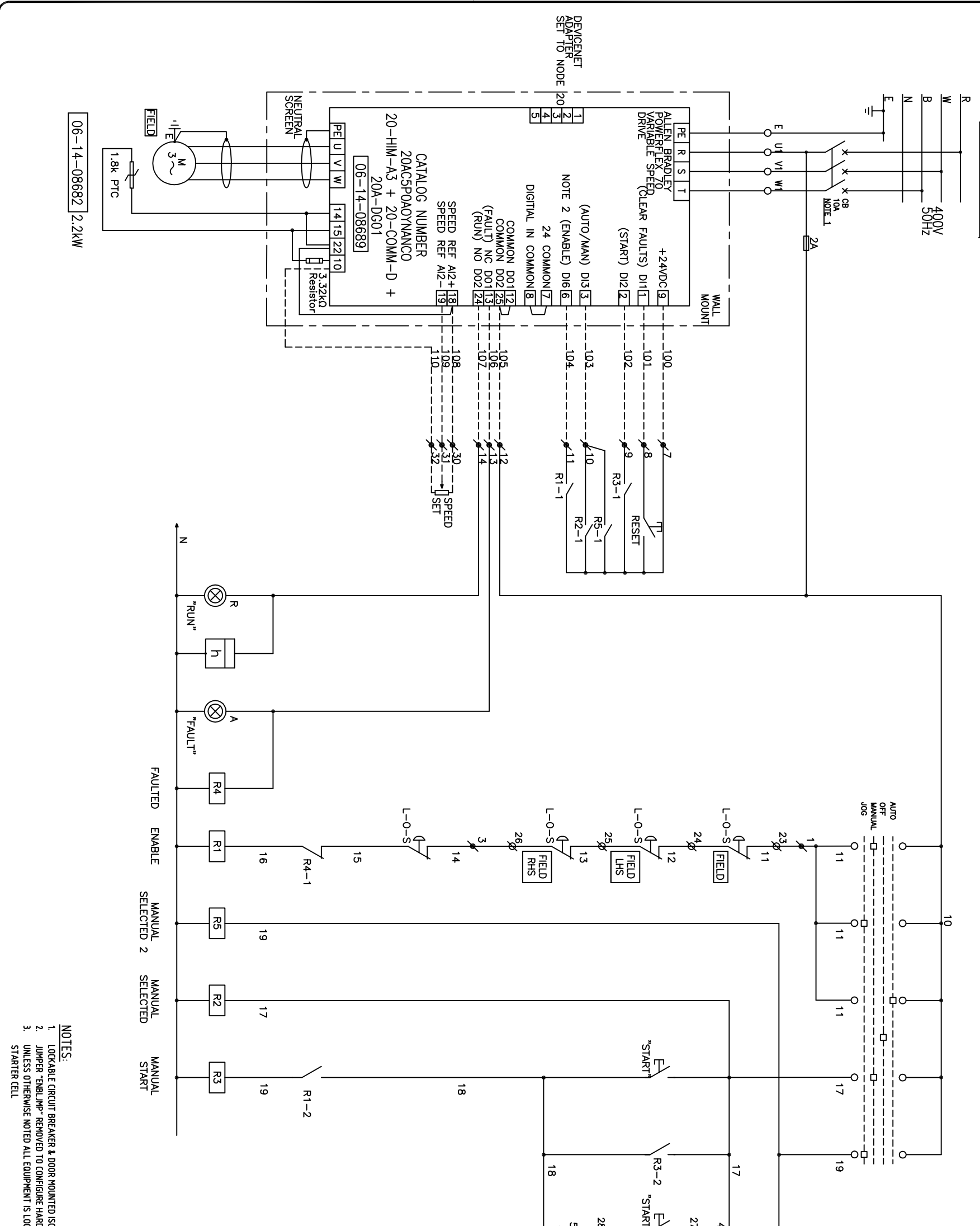


06-12-08866



- NOTES:**
1. LOCKABLE CIRCUIT BREAKER & DOOR MOUNTED ISOLATOR
 2. JUMPER "ENBLJMP" REMOVED TO CONFIGURE HARDWARE ENABLE
 3. UNLESS OTHERWISE NOTED ALL EQUIPMENT IS LOCATED WITHIN THE MOTOR STARTER CELL

PARAMETER	DESCRIPTION	SETTING
041	MOTOR NP VOLTS	= XXX VOLTS
042	MOTOR NP FL AMP	= xx AMPS
043	MOTOR NP FEED	= 50 Hz
044	MOTOR NP RPM	= XXXX RPM
045	MOTOR NP POWER	= 2.2kW
090	SPEED REF A	= 2 = DIPS = AUTOSPEED REF (COMMS)
093	SPEED REF B	= 2 = ANALOG INPUT 2
102	PRESET SPEED 2	= XX = MAN SPEED SET ALSO IN SCADA
140	ACCEL TIME 1	= 10 SECONDS
142	DECEL TIME 1	= 10 SECONDS
300	DATA IN A1	= 102 = PRESET SPEED 2 (MAN SPEED)
310	DATA OUT A1	= 101 = OUTPUT FREQUENCY
311	DATA OUT A2	= 003 = OUTPUT CURRENT
312	DATA OUT B1	= 216 = DIGITAL IN STATUS
313	DATA OUT B2	= 217 = DIGITAL OUT STATUS
314	DATA OUT C1	= 218 = DRIVE TEMPERATURE
361	DIGITAL IN1 SEL	= 2 = CLEAR FAULTS
362	DIGITAL IN2 SEL	= 46 = RUN WITH COMMS
363	DIGITAL IN3 SEL	= 15 = (MAN SEL) SPEED SEL 1
366	DIGITAL IN6 SEL	= 1 = ENABLE (SEE NOTE 2)
380	DIGITAL OUT1 SEL	= 1 = FAULT
388	DIGITAL OUT3 SEL	= 4 = RUN

AS BUILT

References

Project File No.	46777E025SH1
File name	46777E025SH1
By	Checked
Date	Date
Designed	Drawn
Checked	Approved
Date	Date

Approved
Date: / /

**WWTP SLUDGE THICKENING & BLENDING
ELECTRICAL & CONTROL EQUIPMENT**
STB GBT 3 BELT DRIVE MOTOR 06-14-08682



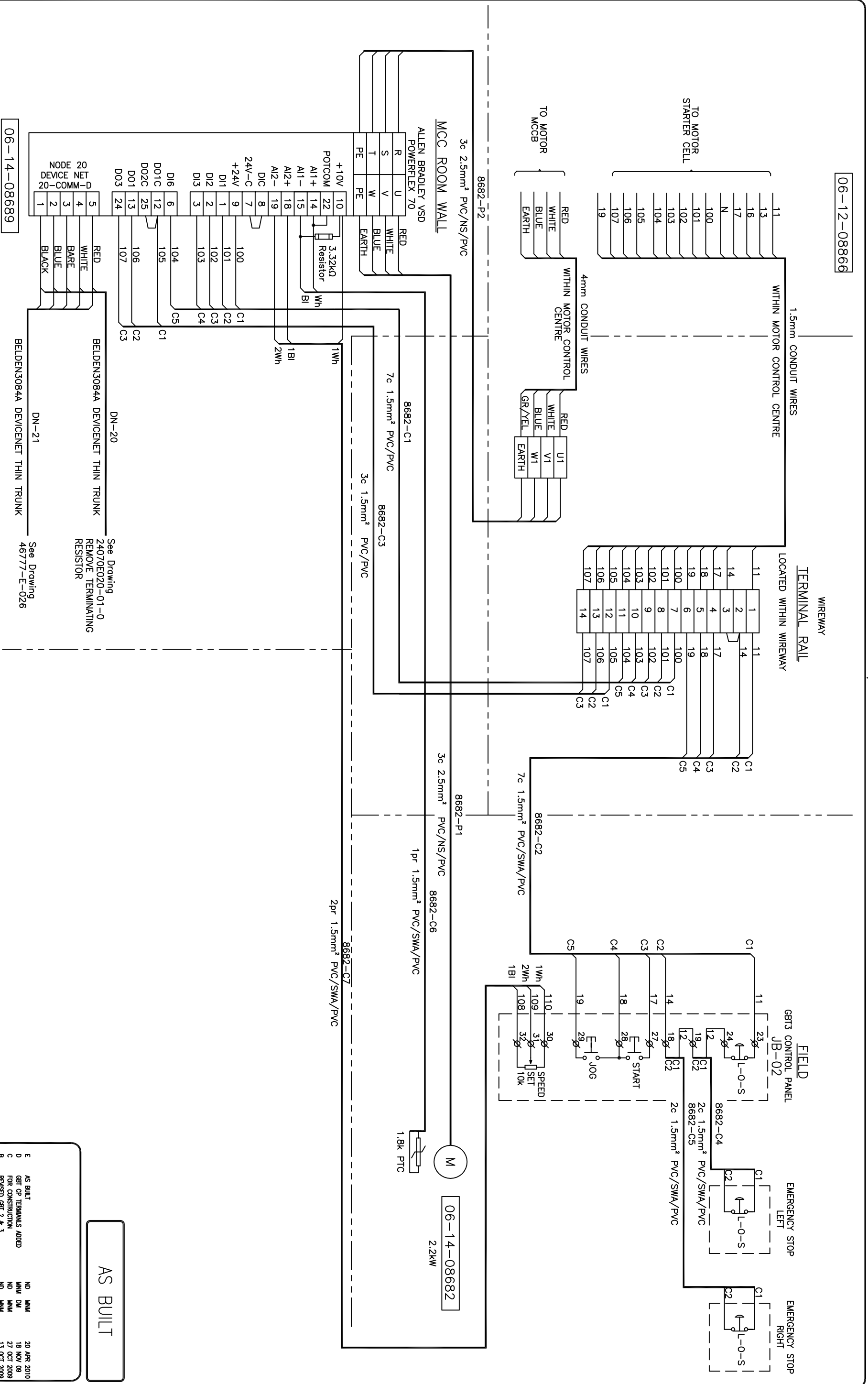
Contract No.	09/46777/W/MS
Drawing No.	46777-E025
Sheet	1 of 2

AS BUILT	20 APR 2010
GET CP TERMINAL CHANGED	18 NOV 09
FOR CONSTRUCTION	27 OCT 2009
REMOVED GET 2 & 3	13 OCT 2009
FOR REVIEW	10 SEP 09



(NOT PLOTTED)

A3



06-14-08689

06-12-08866

06-14-08682

References

Project File No.	Date	Recomm'd
46777E025SH2		

File name	By	Checked	Date	Date	Recomm'd
46777E025SH2					

Drawn	CHK	Date	Date	Recomm'd

Approved

Date:	Recomm'd

WWTP SLUDGE THICKENING & BLENDING
ELECTRICAL & CONTROL EQUIPMENT
STB GBT 3 BELT DRIVE MOTOR 06-14-08682



Scales: (A1 original)

Contract No.	Contract No.
09/46777/W/WS	09/46777/W/WS

Drawing No.	Rev.
46777-E025	E

Location: - Sheet 2 of 2 Sheets

AS BUILT